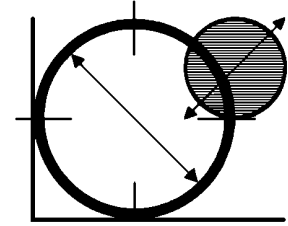


Layout Questionnaire

Rotary Cutting Modules

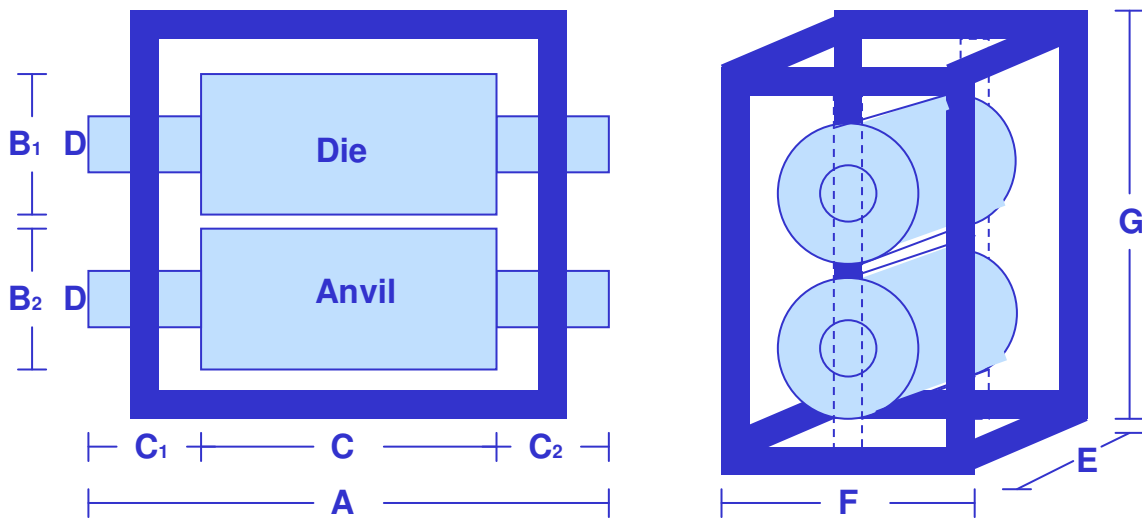


RR ROTARY A/S

**Please fill in your requirements and mail or fax it back to us ...
We shall be at your assistance shortly !**

Product / shape of product is: New or Existing (Please attach dwg.)
 Product material: _____ Thickness of material: _____
 mm
 Expected Volume: _____ rev. Expected Need for delivery: week

 Machine / Process: _____ Use waste handling: Yes or No
 Layout: _____ across x _____ around Web width: _____ mm, Web height: _____
 mm
 Web direction from operators side ... Web moving Leftwards or Rightwards



A Tool length _____ mm **B₁** Dia. _____ mm **B₂** Dia. _____ mm **C** Body length _____ mm
C₁ Shaft length _____ mm **C₂** Shaft length _____ mm **D** Shaft Dia. _____ mm
E Length _____ mm **F** Width _____ **G** Height _____ mm

Company Name: _____ Contact: _____
 Zip code / City: _____ Phone / Fax: _____
 E-Mail: _____ Date of Inquiry: _____